

Flow monitor JSF-1 E... 4 E

Mechanically operated – TÜV tested



Technical data		Application
Switching capacity:	15 (8) A, 24–250 V~, min. 150 mA at 24 V~	Flow supervision of liquid media that flow through 1/2" up to 8" tubes or pipes, such as in oil, cooling or lubricant circuits. Can also be applied as protection against the lack of water.
Contact:	1 microswitch as potential-free changeover contact	
Accuracy:	± 15 % of adjusted set value	Installation: vertical into a horizontal tube (also possible into vertically running tubes or pipes – see operating instructions).
Degree of protection:	IP 65	
Protection class:	I	
Ambient temperature:	-40...+85 °C	Moderation distance needed: equivalent to min. 5fold tube diameter in front of and after the paddle.*
Max. temperature of medium:	120 °C	
Paddle:	V4A	The max. flow can be significantly higher than the max. monitor setting value.
Colour:	grey (bottom part RAL 7016, upper part RAL 7035)	
TÜV type tested, "Flow 100" compliant up to 6"		
Component reference no.:	TÜV S. 04-016 1...-4 E TÜV S. 04-017 1 RE, 2 RE	

Type	Item No.	Pipe	Max. operating pressure	Medium	Equipment	Carrier body	PG
JSF-3E	JA 060500	1/2"	5 bar	normal	attached T-piece (grey cast iron)	Brass	G
JSF-4E	JA 060600	3/4"	5 bar	normal	attached T-piece (grey cast iron)	Brass	G
JSF-1E	JA 060100	1"...8"	8 bar	normal		Brass	G
JSF-1RE	JA 060200	1"...8"	5 bar	normal	reduced switching values**	Brass	G
JSF-2E	JA 060300	1"...8"	13 bar	aggressive***		V4A	G
JSF-2RE	JA 060400	1"...8"	5 bar	aggressive***	reduced switching values**	V4A	G

Accessories							PG
JZ-09 spare paddle (4 pieces each) as of 1" to 8" (E6140170) see pages 159 - 160							K
Option: screwed cable gland M 20 x 1.5 (standard: M 16 x 1.5)							G

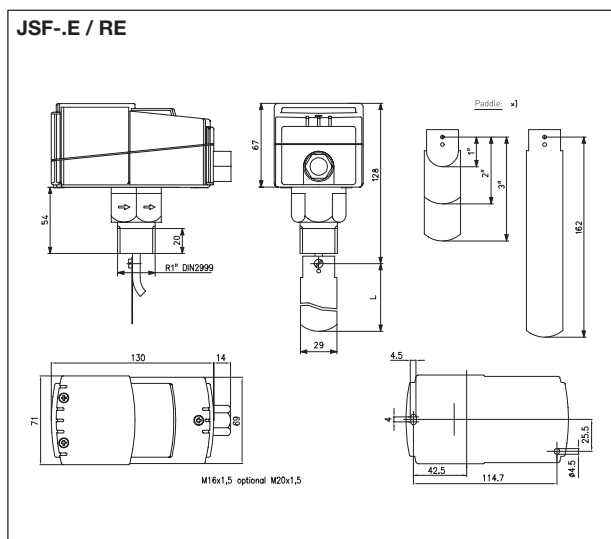
* for 1" = paddle 1
 for 2" = paddle 1 and 2
 for 3" up to 8" = paddle 1, 2 and 3

In the event it was necessary to attain reduced flow values (marked in the table in the column under the header „Pipe“ with the additional character Z), the paddle 4 needs to be used as follows:

at 4" = paddle 1, 2, 3, 4 (paddle 4 to be shortened to 92 mm)
 at 5" = paddle 1, 2, 3, 4 (paddle 4 to be shortened to 117 mm)
 at 6" = paddle 1, 2, 3, 4 (paddle 4 to be shortened to 143 mm)
 at 7" and 8" = paddle 1, 2, 3, 4 (paddle 4 unshortened)

** Types for low throughput rates (see switching value table) "RE"

*** Aggressive types of media: all parts of the flow monitor in contact with the medium are made of V4A



DN Nominal width	Pipe thread Inch
6	1/8"
8	1/4"
10	3/8"
15	1/2"
20	3/4"
25	1"
32	1 1/4"
40	1 1/2"
50	2"
65	2 1/2"
80	3"
100	4"
125	5"
150	6"

